

AXOR Uno

Single lever basin mixer 110 with zero handle with pop-up waste set

Surfaces: **Chrome** Article Number: **45001000**



Description

product features

- consists of: single lever basin mixer, waste set
- ComfortZone 110
- projection 123 mm
- laminar spray
- flow rate at 3 bar: 5 l/min
- ceramic cartridge
- temperature limitation adjustable
- suitable for continuous flow water heaters
- pop-up waste set G 1¼
- connection dimension: DN15
- P-IX 7288/IO
- DVGW DW-6506CS0457
- ACS 18 ACC LY 832, valide jusqu'au 27.12.2023
- WRAS 1710014
- WRAS 1710014
- JWWA C-501
- SVGW 1712-6707

Technology



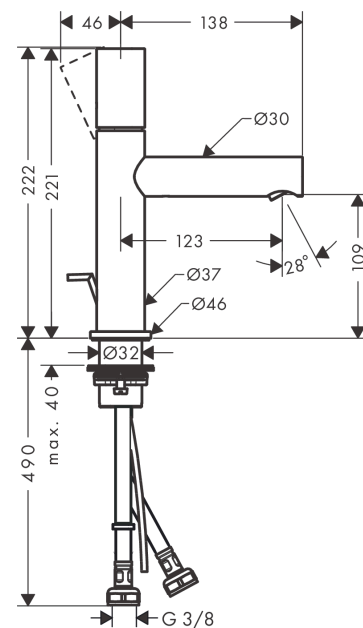
Design awards



Product image



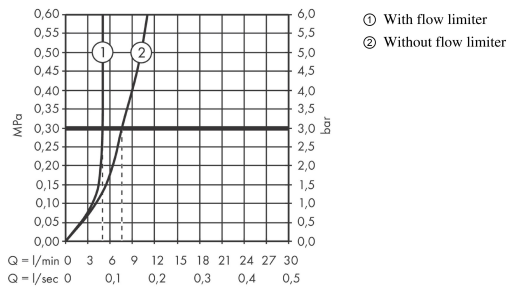
Scale drawing



AXOR Uno
Single lever basin mixer 110 with zero handle with pop-up waste set
 Surfaces: **Chrome** Article Number: **45001000**



Flowchart

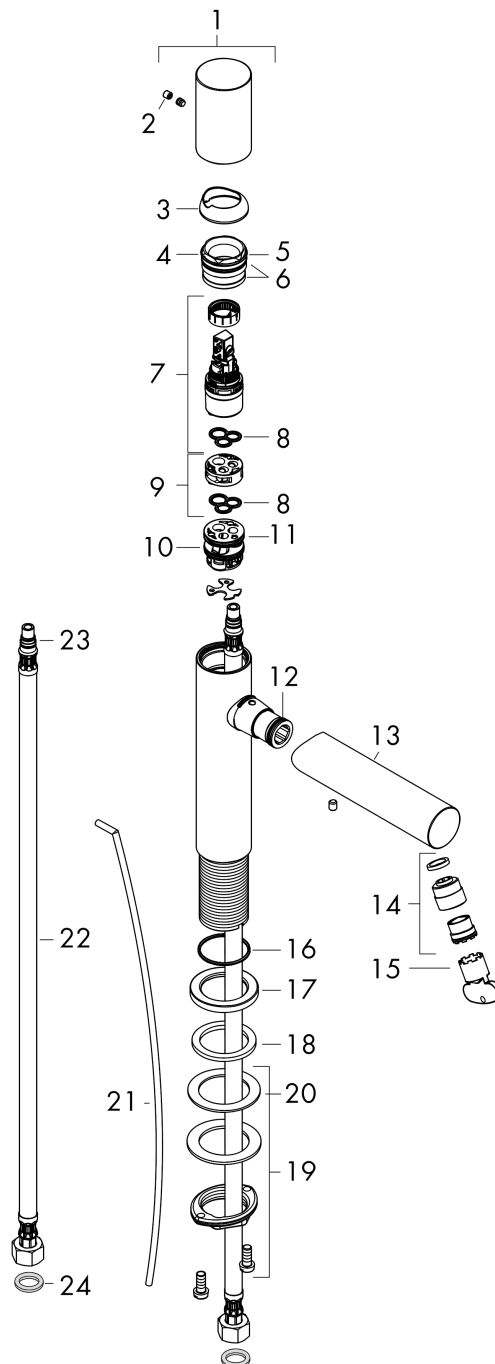


AXOR Uno
Single lever basin mixer 110 with zero handle with pop-up waste set
Surfaces: **Chrome** Article Number: **45001000**



Exploded Drawing

Year of production: >04/17



AXOR Uno

Single lever basin mixer 110 with zero handle with pop-up waste set

Surfaces: **Chrome** Article Number: **45001000**



Spare part list

Year of production: >04/17

Pos.	Description	Article Number	PC	PU
1	handle	92887000	16	1
2	screw cover	95181000	1	1
3	flange	93116000	7	1
4	nut	92689000	7	1
5	O-ring 25x1,5	98146000	1	1
6	O-ring 27x1,5	92527000	1	1
7	cartridge, assy	97685000	11	1
8	seal	98865000	8	1
9	adapter for cartridge	92628000	6	1
10	adapter for cartridge	98866000	8	1
11	O-ring 23x2	98398000	1	1
12	O-ring 16x2	98133000	1	1
13	spout cpl.	92893000	14	1
14	aerator laminar M18x1 (5 l/min)	92896000	10	1
15	special tool	98987000	3	1
16	O-ring 30x1,5	98433000	1	1
17	escutcheon Ø 46 mm	95268000	7	1
18	flat seal	98749000	2	1
19	fixing set (Ø 32)	13961000	7	1
20	lever collar	97548000	1	1
21	pull rod	97158000	7	1
22	connection hose 600 mm M8x0,75 G3/8	96556000	7	1
23	O-ring 7x1,5	98422000	1	1
24	sealing set	95581000	2	1
a	pop up waste	94139000	98	1
b	fixation extension 35 mm	13898000	12	1